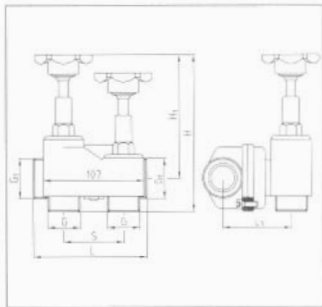


Uni-Ventilblock Set

Bypass Mixing valve set



Rp	G-Zoll Iso 228	G ₁	L	L ₁	S	H	H ₁
inch	inch	inch	mm	mm		max.	max.
	1	1 1/4	117,5	71	65	166	131
	1 1/4*	1 1/4	117,5	71	65	166	131
	1 1/4*	1 1/2	124	71	65	166	131

- * = extra große Dichtfläche für Wellrohre
- * = extra large sealing surface for corrugated tubes