



Rückschlagventil, Edelstahl Typ EB

Non-return valve, Stainless steel Type EB



Technische Daten

Bauform

2-teilige Körperkonstruktion (verschraubt)

Anschluss

Innengewinde G ½ bis G 3 (DIN ISO 228 T1)
Anschweissenden, DN15 bis DN80
ISO4200, Din 11850-2 oder DIN 3239 (nur DN15-
DN50)

Einbaulage

Beliebig, Durchflussrichtung beachten.

Mediumdruck

Max. 40 Bar

Öffnungsdruck

Ca. 0.10 Bar

Temperatur

PTFE: -30°C bis max. +140°C
FKM: -20°C bis max. +140°C
EPDM: -20°C bis max. +130°C

Werkstoffe

Gehäuse: Edelstahl 1.4408
Deckel: Edelstahl 1.4408
Met. Innenteile: Edelstahl 1.4404
Feder: Edelstahl 1.4310
Dichtungen: PTFE
FKM
EPDM

Specification

Design

Body consists of two screwed parts

Connection

Female thread: ½" – 3", (DIN ISO 228T1);
Welded connection DN15-Dn80 acc. to ISO 4200, DIN
11850-2 or DIN 3239 (only DN15-DN50)

Mounting position

As desired, please refer to flow direction.

Pressure Range

Max. 40 Bar

Action pressure

Ca. 0.10 Bar

Temperature Range

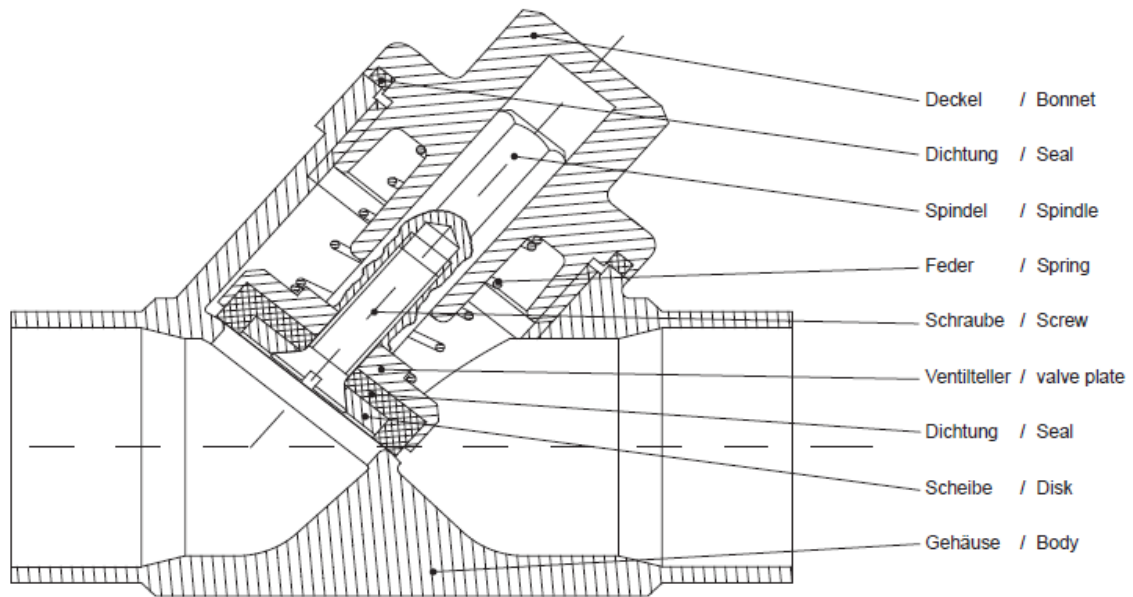
PTFE: -30°C up to max. +140°C
FKM: -20°C up to max. +170°C
EPDM: -20°C up to max. +130°C

Materials

Body: Stainless steel 1.4408
Cover: Stainless steel 1.4408
Met. inner parts: Stainless steel 1.4404
Spring: Stainless steel 1.4310
Seal: PTFE
FKM
EPDM

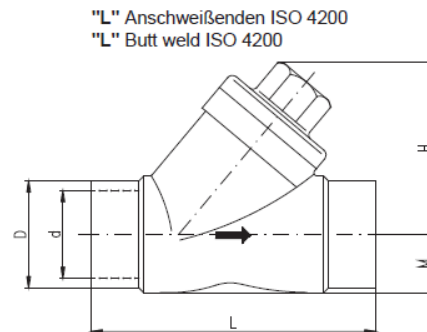
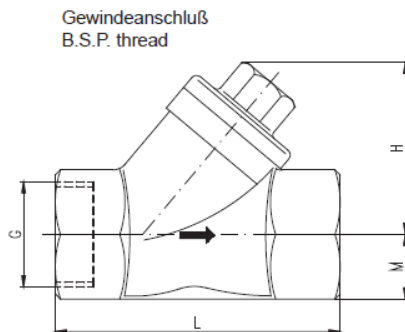
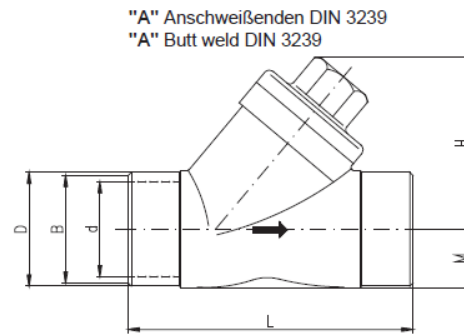
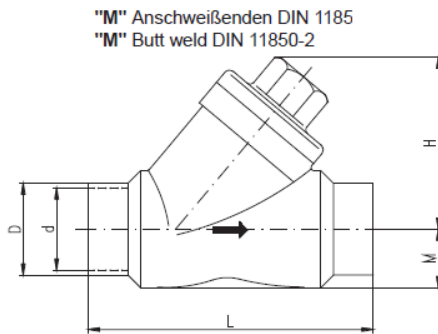


Aufbau / Construction





Abmessungen / Dimensions



G	DN	L	M	H	KV- WERT	"A" – din 3239			"L" – ISO 4200			"M" – din 11850-2			
						ØB	ØD	Ød	L	ØD	Ød	L	ØD	Ød	L
½	15	65.0	12.5	42.5	1.5	22	24	17	65.0	21.3	18.1	65.0	19	16	65.0
¾	20	75.0	15.5	49.0	6.5	28	30	22	75.0	26.9	23.7	75.0	23	20	75.0
1	25	90.0	18.5	57.5	11.0	34	36	28	90.0	33.7	29.7	90.0	29	26	90.0
1 ¼	32	110.0	23.0	65.0	18.5	41	45	35	110.0	42.4	38.4	110.0	35	32	110.0
1 ½	40	120.0	26.5	74.0	24.0	49	52	43	120.0	48.3	44.3	120.0	41	38	120.0
2	50	150.0	33.5	85.0	40.5	61	65	54	150.0	60.3	55.1	150.0	53	50	150.0
2 ½	65	180.0	42.5	118.0	-	-	-	-	-	76.1	70.3	205.0	70	66	205.0
3	80	200.0	50.0	128.0	-	-	-	-	-	88.9	83.1	220.0	85	81	220.0